



Power of RFID

## UHF RFID Serial Reader/Writer MPR-2010AR (902-928 MHz)



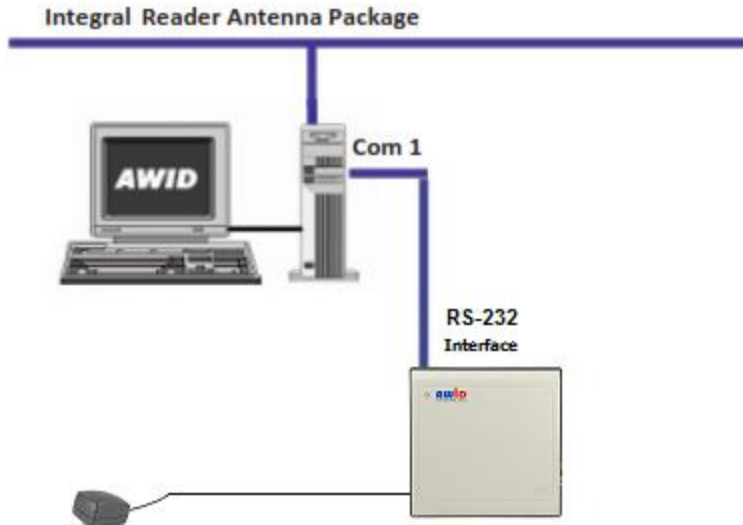
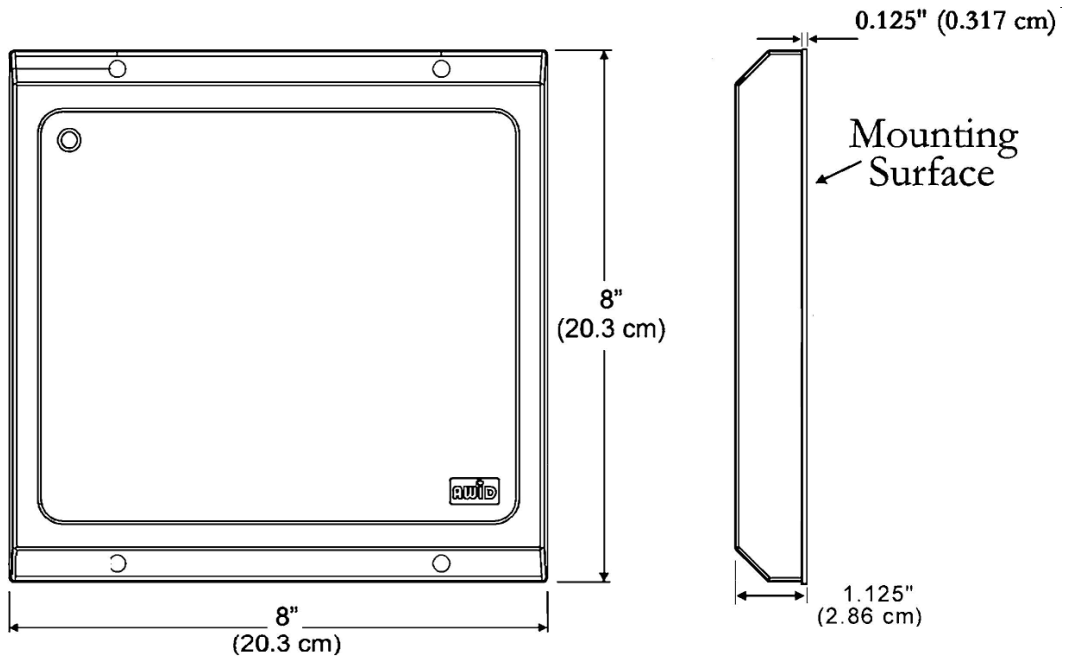
**MPR-2010AR**

### Features

- Integral Reader Patch Antenna System
- Host Interface – RS232
- Compact Package
- Multi Protocol Capability Including ISO 18000-6 C and EPC Gen 2
- Easy Communications Protocol for Application Development
- Built in Temperature Monitoring Circuit

### Specifications

MPR-2010AR	
<b>Frequency</b>	902~928 MHz, Frequency Hopping
<b>RF Power</b>	1 Watt Max (+30 dBm) w/ 20 dBi digital Control Range
<b>Read Range</b>	24' (6m) – Tag dependent (Write Range: 60% of typical Read Range)
<b>Protocols</b>	EPC C1G2, ISO 18000-6 C
<b>Antenna Polarization</b>	RHCP (Right Hand Circular Polarized)
<b>Antenna Gain &amp; Impedance</b>	+5.1 dBi Typical and 50 Ohm
<b>Communications Interface</b>	RS-232
<b>Power Requirements</b>	7 VDC to 15 VDC
<b>Power Consumption</b>	1.5 A (7.0 V) to 0.7 A (15 V) typical
<b>Operating Temperature</b>	-20°C to +50°C (-4°F to +122°F)
<b>Weight</b>	2.0 lb (1.2 kg)
<b>Dimension</b>	8" x 8" x 1.125" (20 x 20 x 2.86 cm)



\* Note: Special license to operate this device may be required in certain countries. Adhere to local regulations where applicable.

**AWID**  
 18300 Sutter Blvd., Morgan Hill, CA 95037  
 Tel: (408) 825-1100 Fax: (408) 782-7402  
<http://www.awid.com>