



Power of RFID

UHF RFID Serial/USB Reader/Writer MPR-2080BU (865-868 MHz)

Features

- Integral Reader Patch Antenna System
- 1 Antenna Expansion Port - 6' Cable
- Host Interface – RS232/USB
- Compact Package
- Multi Protocol Capability Including ISO 18000-6 B/C and EPC Gen 2
- Moisture Sealed Enclosure for Indoor/Outdoor Use
- Easy Communications Protocol for Application Development
- Secondary Antenna available to Maximize Coverage
- Built in Temperature Monitoring Circuit



MPR-2080BU

Specifications

MPR-2080BU	
Frequency	865~868 MHz, Frequency Hopping
RF Power	1 Watt Max (+30 dBm) w/ 20 dBi digital Control Range
Read Range	24' (6m) – Tag dependent (Write Range: 60% of typical Read Range)
Protocols	EPC C1G2, ISO 18000-6 B/C
Antenna Polarization	RHCP (Right Hand Circular Polarized)
Antenna Gain & Impedance	+5.1 dBi Typical and 50 Ohm
Expansion Antenna	Yes - SMA Connector
Communications Interface	RS-232 / USB
Power Requirements	7 VDC to 15 VDC
Power Consumption	1.5 A (7.0 V) to 0.7 A (15 V) typical
Operating Temperature	-20°C to +50°C (-4°F to +122°F)
Weight	2.0 lb (1.2 kg)
Protection Class	IP 50 (Intended - Not Certified)

Regulatory Agency Certifications:

RoHS / CE2200

Additional System Components, Peripherals, Software & Accessories

Reader Power Supply (Wall Plug):

PS-92A, Power Supply 9V, 2A

Antenna Mount Bracket:

MPR-2010MB-0-0

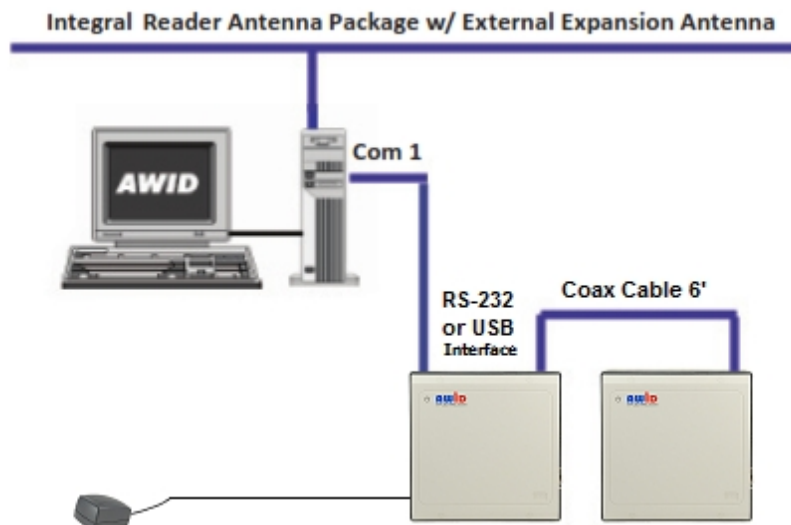
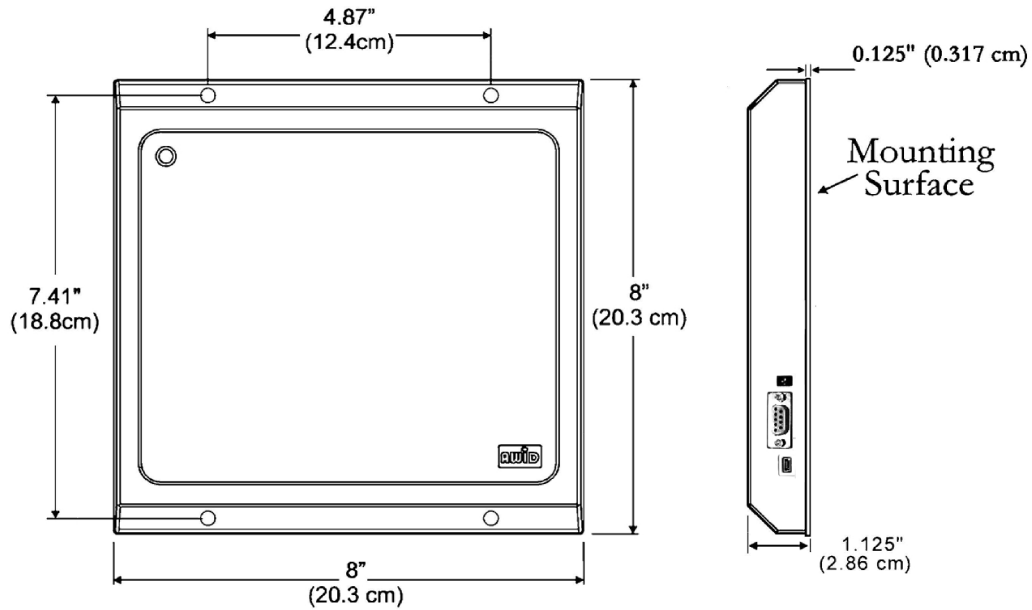
External Expansion Antenna:

MPR-2082ANT (including 6' cable)

Software Development Kit:

SDK Supplied on CD with Unit or web site download

Mechanical Drawing for both the Reader and External antenna are the Same



* Note: Special license to operate this device may be required in certain countries. Adhere to local regulations where applicable.